

Crane specification

Serial number

Year of construction

Crane group : A3 as per FEM 1.001
 Loadspectrum : Q1 as per FEM 1.001
 Classification : U4 as per FEM 1.001
 Stability : as per FEM 1.001



Max. load
9,0 tonne

Max.radius
with max. load
13 m

Max. capacity
117 tm

Max. jib length
50 m

Speeds Jib horizontal / jib 30° luffed

m/min	kg	Diagram	Speed
20	9000		0 - 70 m/min
32	4500		0 - 0,9 rpm
50	2250		
75	0		

All motions with hydraulic proportional controls.
 Luffing the jib 30° can be controlled from crane cab or by remote control.
 The crane should be folded in at wind force 9 (Bf) (21 m/sec) or when not in use for a longer period.

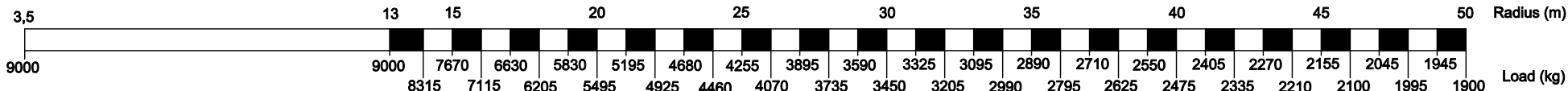
Counterweight crane: 9550 kg.
 Continues slewing (360°) with outriggers out and support pads down.
 Crane can be driven in its erected position under special conditions (refer user guide).

Rated lift capacity is net capacity.
 Always two parts of line.
 Max. line pull force: 4500 kg.
 Operating temperature range from: -15°C till + 40°C.
 Sail area of the load max.: 1,0 m²/ ton.

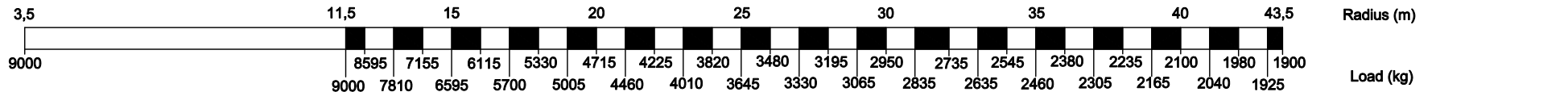
Outrigger positioned according to lifting chart
 Outrigger support base : **7,50 m x 7,66 m**.
 Operation allowed up to wind force 8 Bf (17 m/sec).
 Outrigger support base : **7,50 m x 5,72 m**.
 Operation allowed up to wind force 8 Bf (17 m/sec).
Max. outrigger force: 440kN.

Lifting chart Outrigger support base 7,50 m x 7,66 m
Jib horizontal

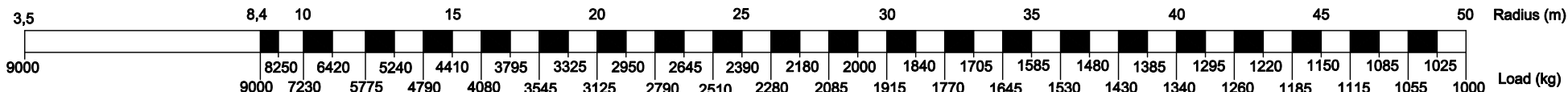
Hookheight 23,8 / 32,6 m (height under jib 25,8 / 34,6 m)


Jib 30° luffed

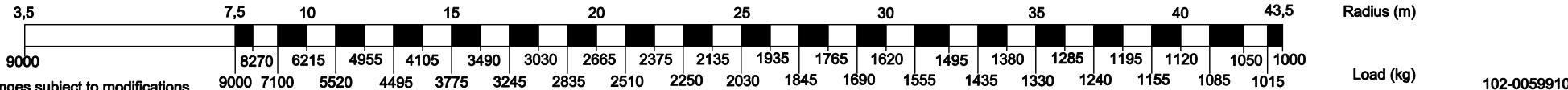
Hookheight (m) 37,8 39,8 42,7 45,6 48,5 51,4 54,2 56,3

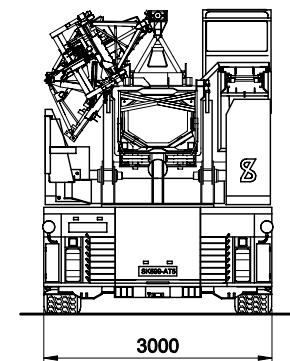
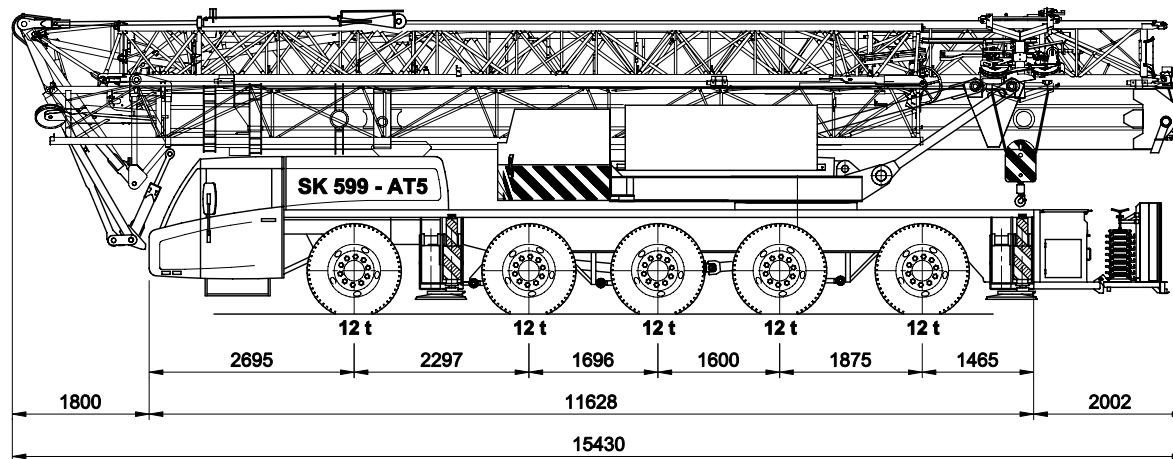
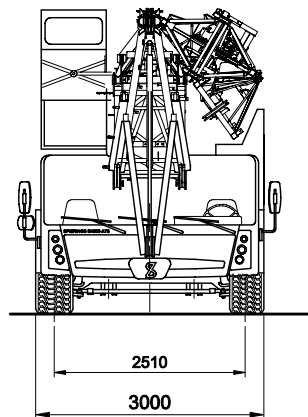
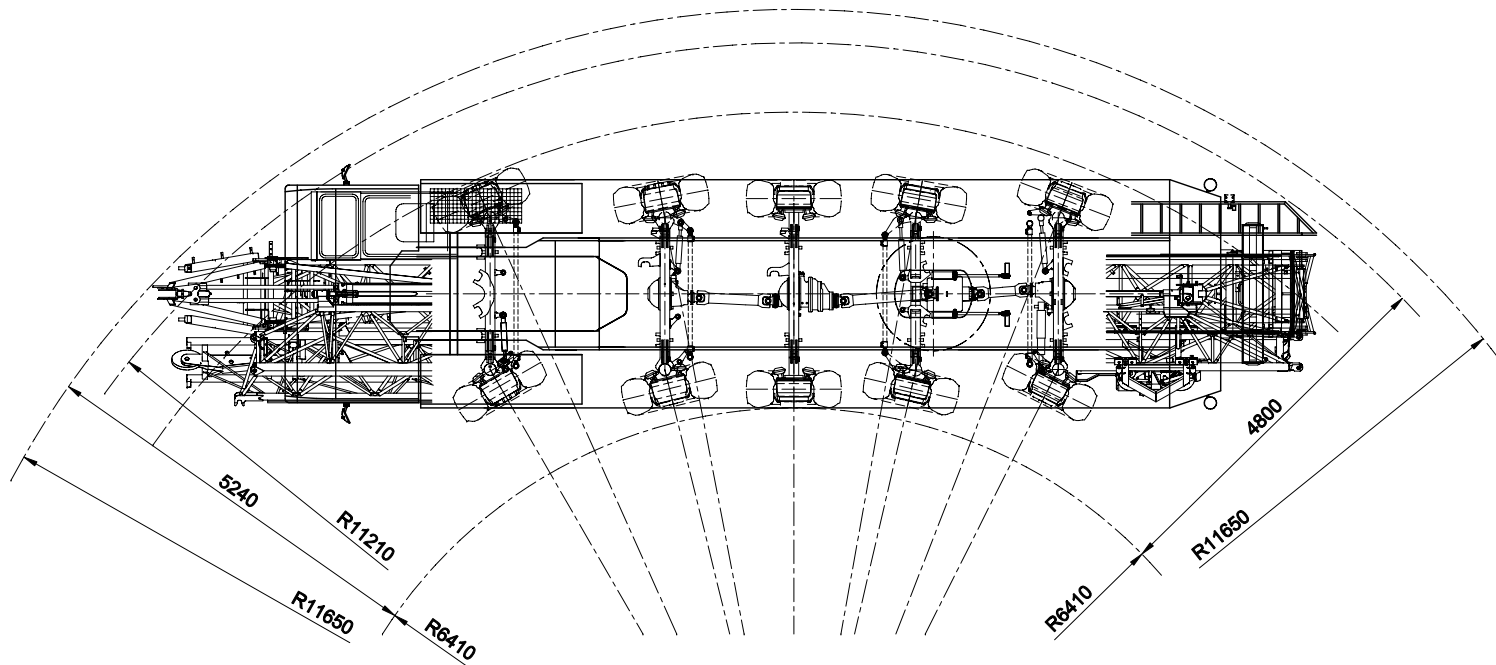

Lifting chart Outrigger support base 7,50 m x 5,72 m
Jib horizontal

Hookheight 23,8 / 32,6 m (height under jib 25,8 / 34,6 m)


Jib 30° luffed

Hookheight (m) 35,5 36,9 39,8 42,7 45,6 48,5 51,4 54,2 56,3





Spierings Hydraulic Folding Crane

SK 599 - AT5

Total weight: 60000 kg
changes subject to modifications

SPIERINGS
MOBILE CRANES

Merwedestraat 15
5347 KZ Oss NL
Tel. +31 (0)412-626964
Fax +31 (0)412-645299
www.spieringscranes.com

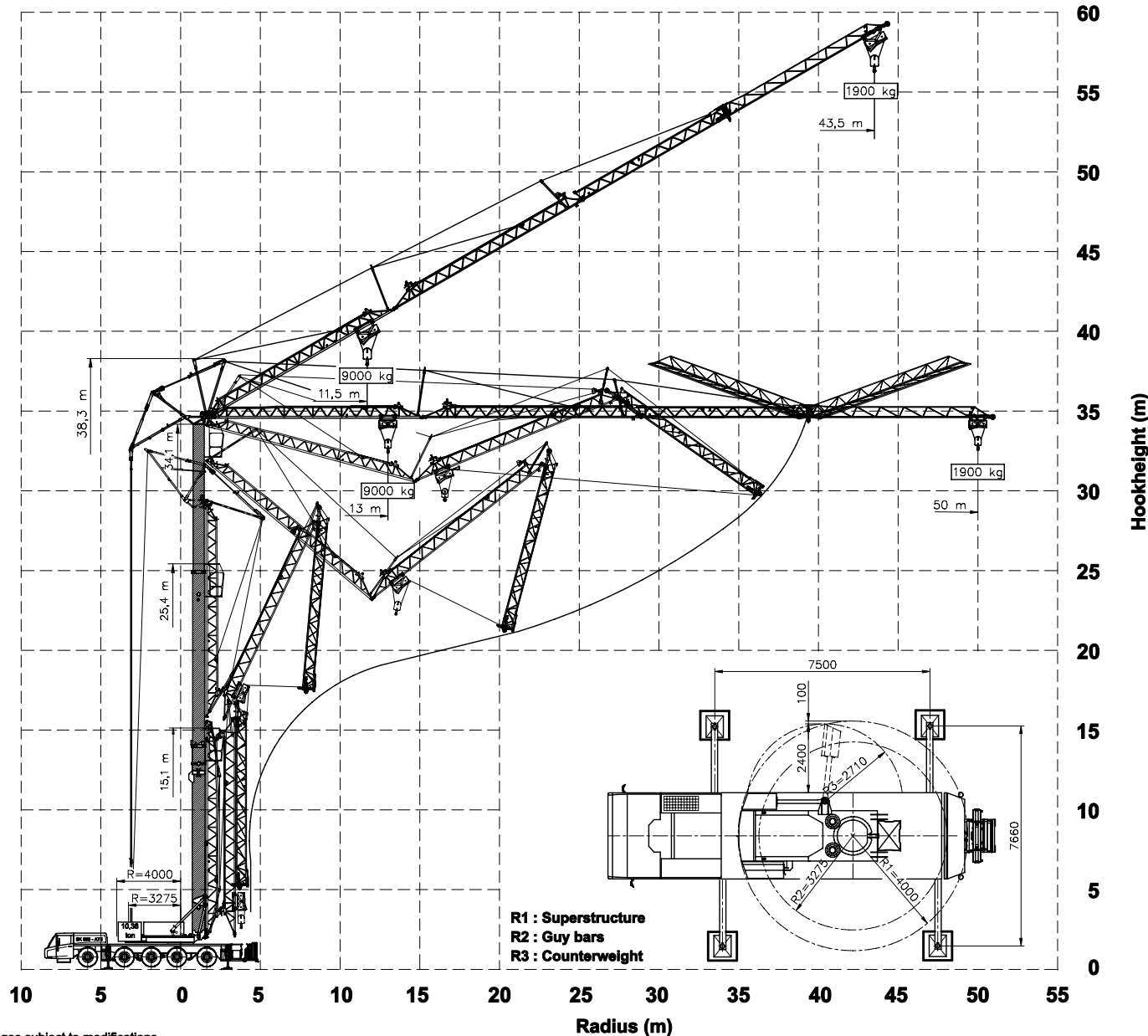
102-00599102

SPIERINGS HYDRAULIC FOLDING CRANE SK599-AT5

Erection procedure of the crane

Max. outrigger force : 440 kN
 Outrigger support pads : 750x600 mm
 Ground pressure : 1,00 N/mm²
 Jib can be unfolded through 360°
 Luffing the jib 30° can be controlled from
 the crane cab or remote control

Outrigger support plates : 1000x1000 mm
 surface : 1,00 m²
 Ground pressure : 0,44 N/mm²



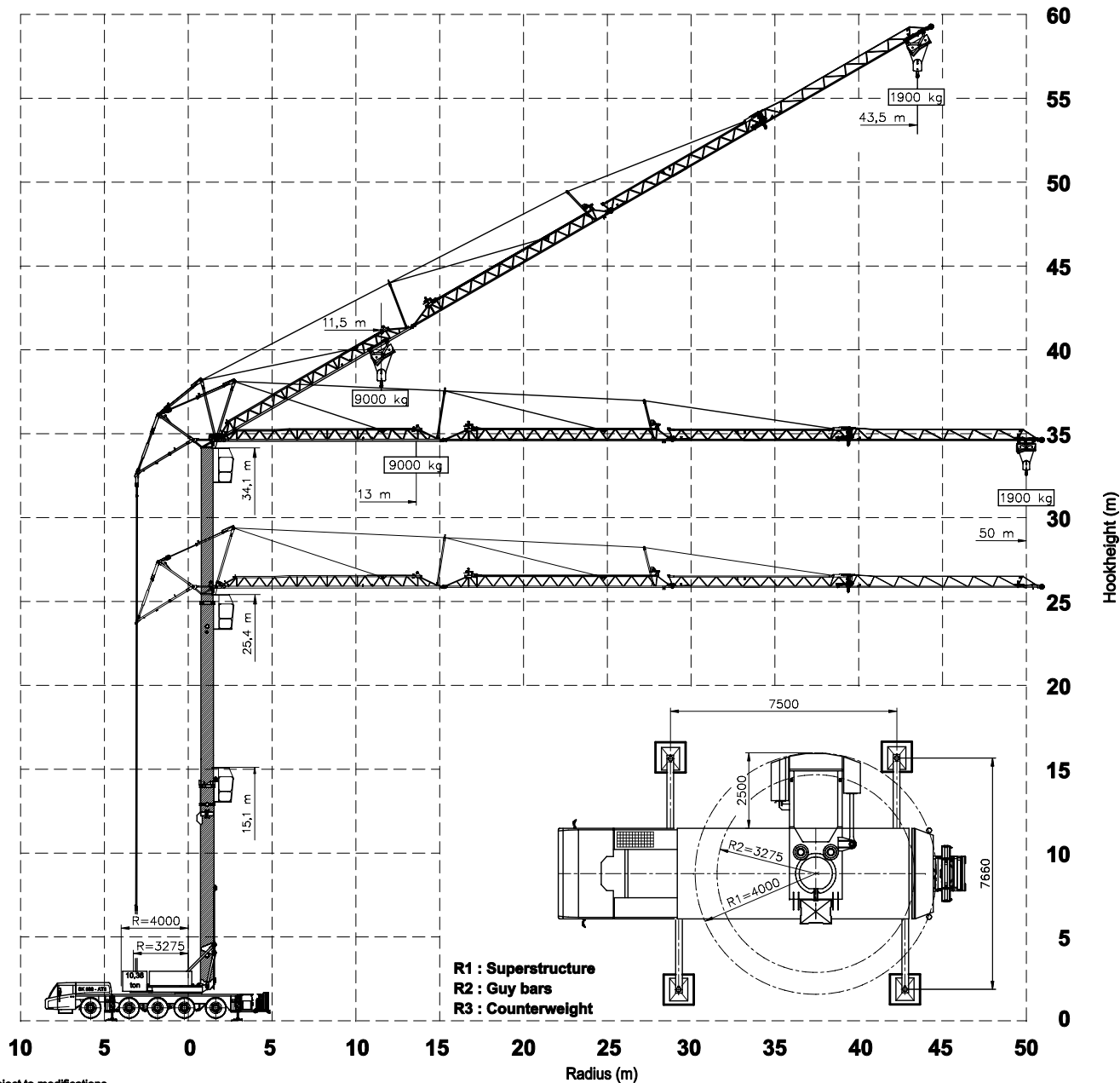

SPIERINGS
MOBILE CRANES

Merwedestraat 15
 5347 KZ Oss NL
 Tel. +31 (0)412-626964
 Fax +31 (0)412-645299
www.spieringscranes.com

102-00599103

SPIERINGS HYDRAULIC FOLDING CRANE SK599-AT5

Hoisting Specifications
Outrigger support base
7,50 m x 7,66 m



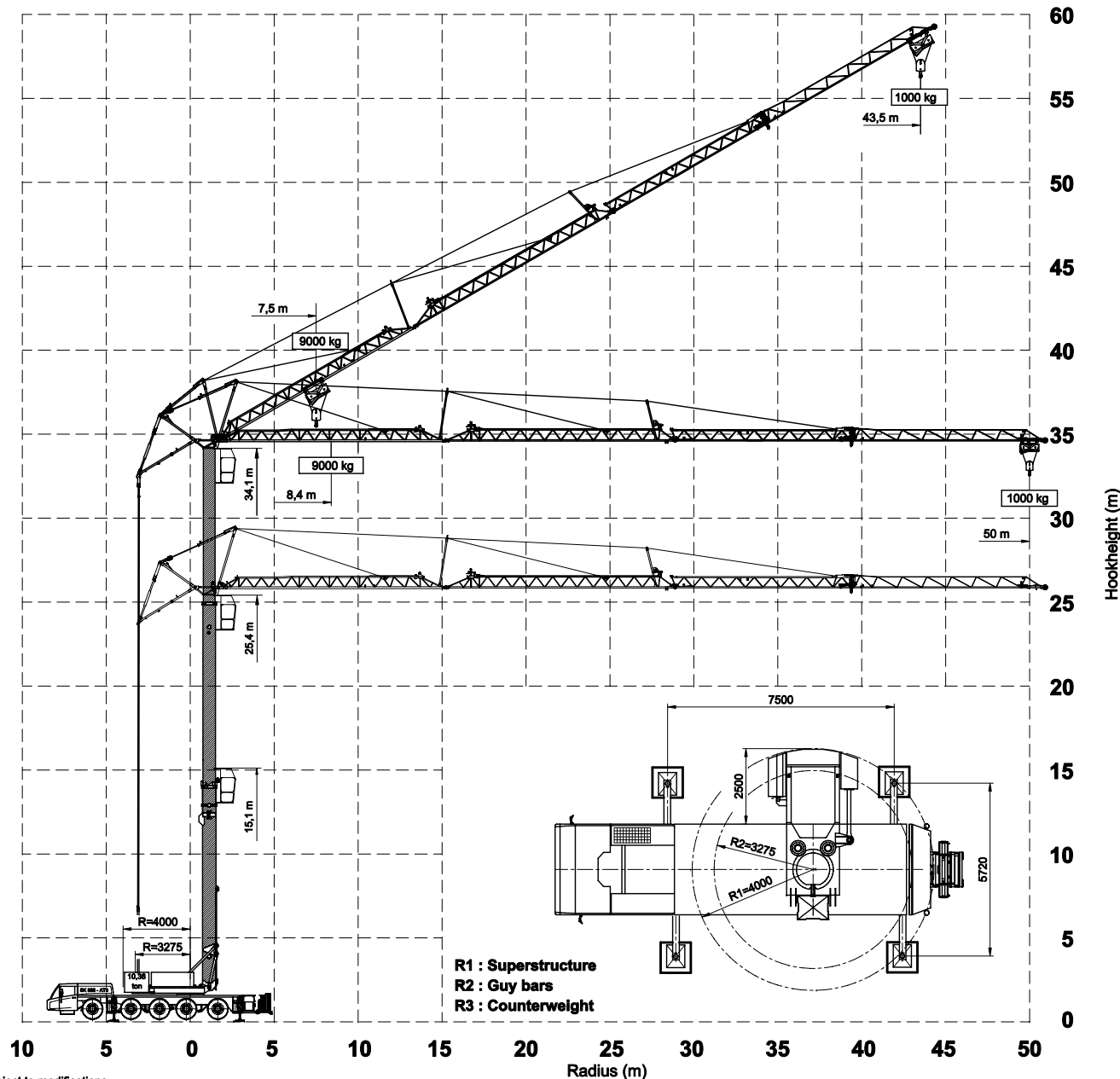
SPIERINGS
MOBILE CRANES

Merwedestraat 15
5347 KZ Oss NL
Tel. +31 (0)412-626964
Fax +31 (0)412-645299
www.spieringscranes.com

102-00599104

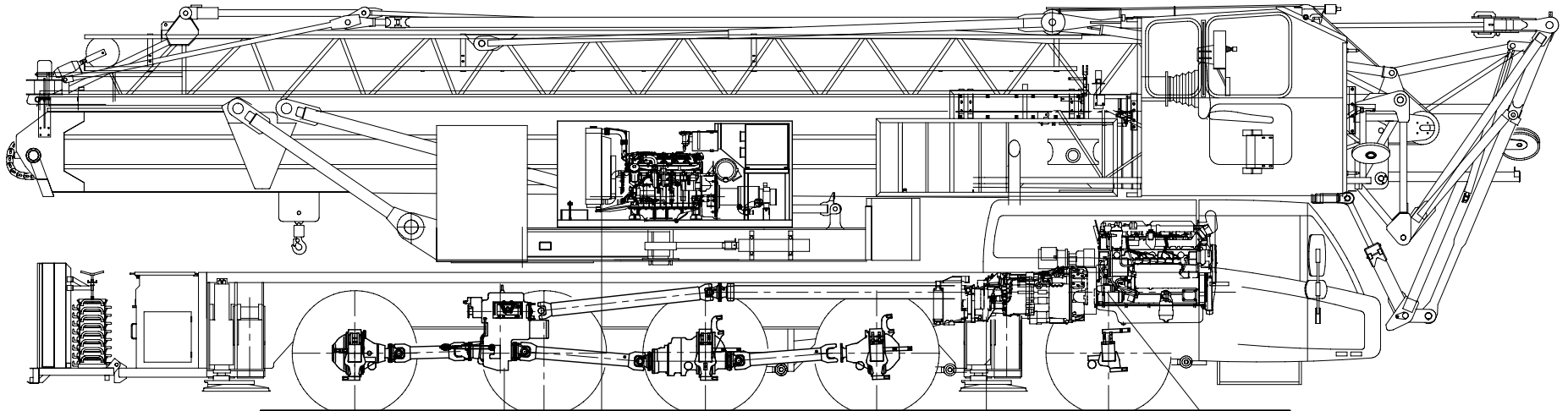
SPIERINGS HYDRAULIC FOLDING CRANE SK599-AT5

Hoisting Specifications
Outrigger support base
7,50 m x 5,72 m



Merwedestraat 15
5347 KZ Oss NL
Tel. +31 (0)412-626964
Fax +31 (0)412-645299
www.spieringscranes.com

102-00599105



Axle 5		Axle 4		Axle 3		Axle 2		Axle 1	
Transfer box: STEYR VG2001/396		Crane diesel engine: John Deere 4045HF475		Gearbox: ZF 16AS2601		Carrier diesel engine: Euro IV		DAF: MX 375 (12,9 ltr)	
Road gear	i=0,89	Power: 129 kW (2200 rpm)		Automatic		Power:		375 kW (1900 rpm)	
Off road gear	i=1,54	Torque: 700 Nm (1400 rpm)		Dry plate clutch + retarder		Torque: 2500 Nm (1000-1410 rpm)			

Axle 1 : Steer axle	Tyres	: 445/75 R22,5
Axle 2 : Steer drive axle (end reduction i=7,29)	Suspension: hydro-pneumatic on all axles; stroke cyl.	: 247 mm
Axle 3 : Drive axle , non steered (end reduction i=7,29)	Max. speed carrier	: 85 km/h
Axle 4 : Steer axle	Min. speed carrier (engine at 1000 rpm)	: 1,6 km/h
Axle 5 : Steer drive axle (end reduction i=7,29)	Overall weight	: 60.000 kg.

Drive train Spierings Folding Crane SK 599 - AT5

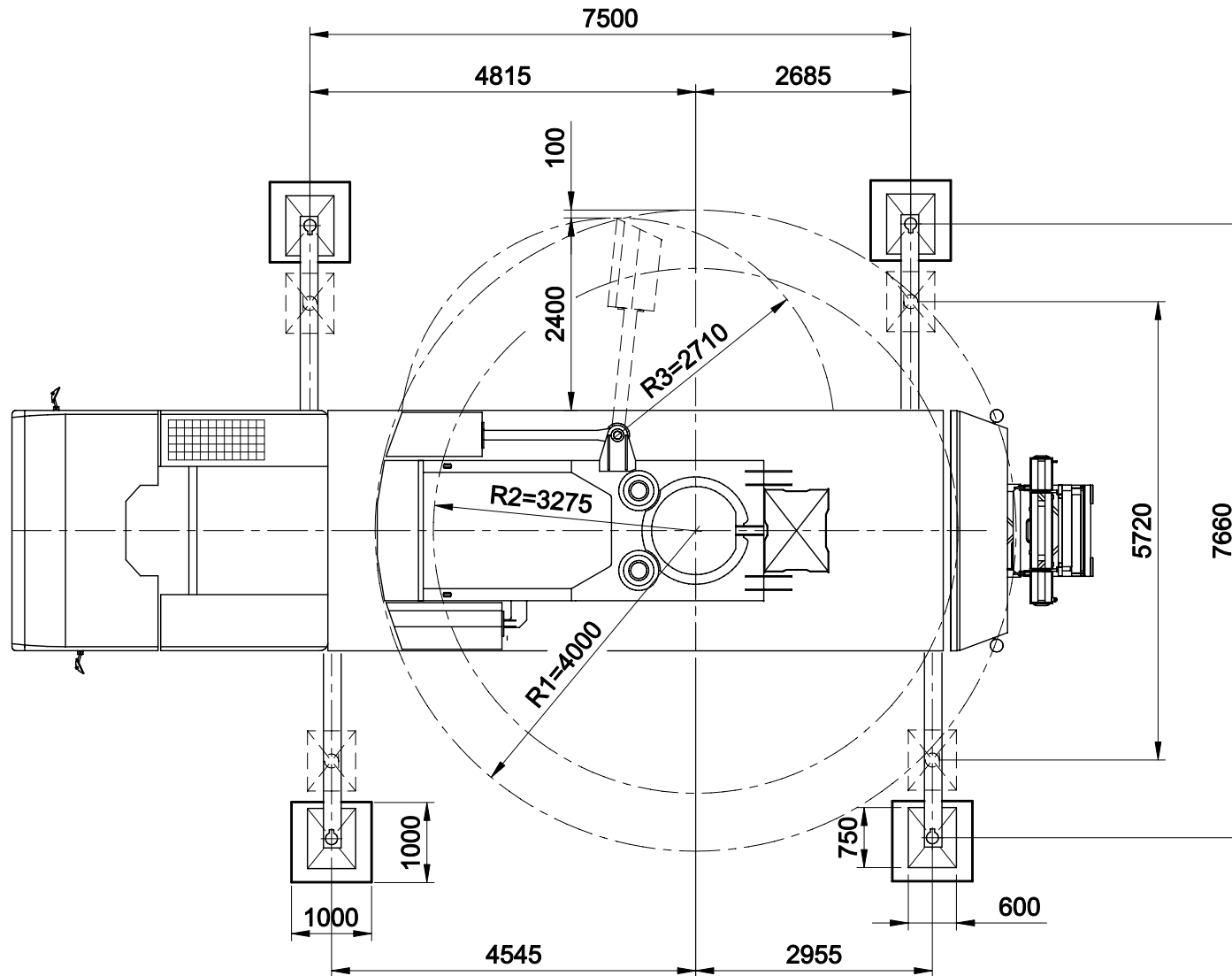
SPIERINGS
MOBILE CRANES

Merwedestraat 15
5347 KZ Oss NL
Tel. +31 (0)412-626964
Fax +31 (0)412-645299
www.spieringscranes.com

SPIERINGS

HYDRAULIC FOLDING CRANE

SK 599 - AT5



Outrigger support base	
Max. outrigger force	440 kN
Outrigger support pads	750x600 mm
Ground pressure	1,00 N/mm ²
Outrigger support plates	1000x1000 mm
Surface	1,00 m ²
Ground pressure	0,44 N/mm ²

R1 : Superstructure
 R2 : Guy bars
 R3 : Counterweight

SPIERINGS
 MOBILE CRANES

Merwedestraat 15
 5347 KZ Oss NL
 Tel. +31 (0)412-626964
 Fax +31 (0)412-645299
www.spieringscranes.com