

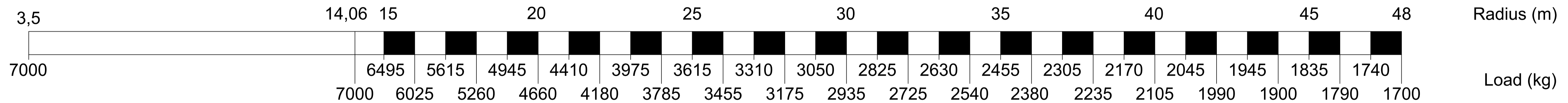


Operation allowed up to wind force 7 Bf (14 m/sec).
The crane should be folded in at wind force 9 Bf (21 m/sec)
or when not in use for a longer period
Counterweight crane: 8855 kg.
Max. outrigger force: 360 kN.

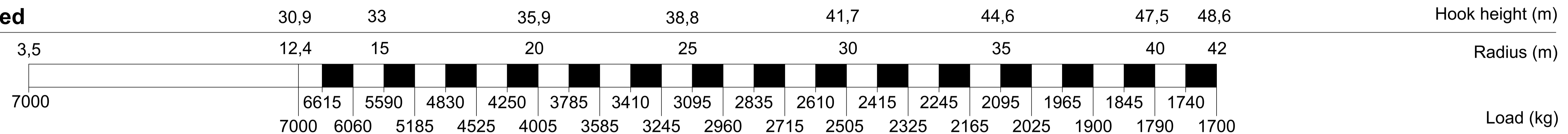
Lifting chart outrigger support base 6,925 m x 7,0 m

Jib horizontal

Height under the jib 26,9 / 29,7 m



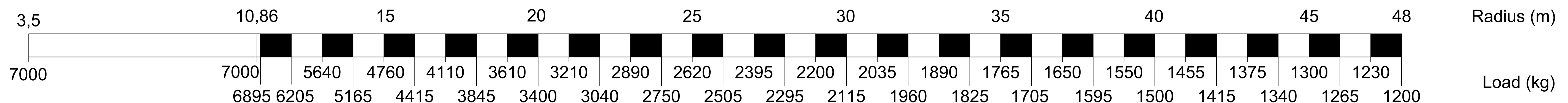
Jib 30° luffed



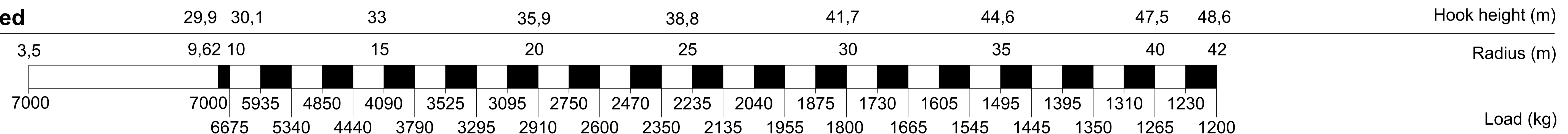
Lifting chart outrigger support base 6,925 m x 5,85 m

Jib horizontal

Height under the jib 26,9 / 29,7 m



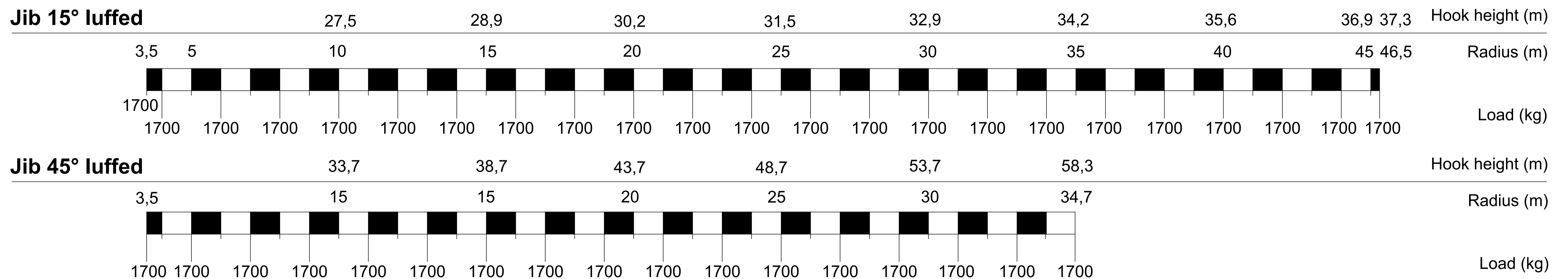
Jib 30° luffed



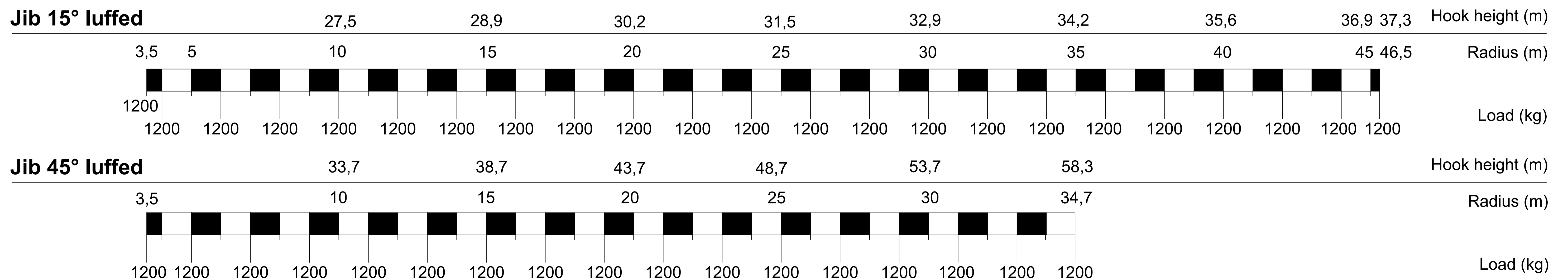


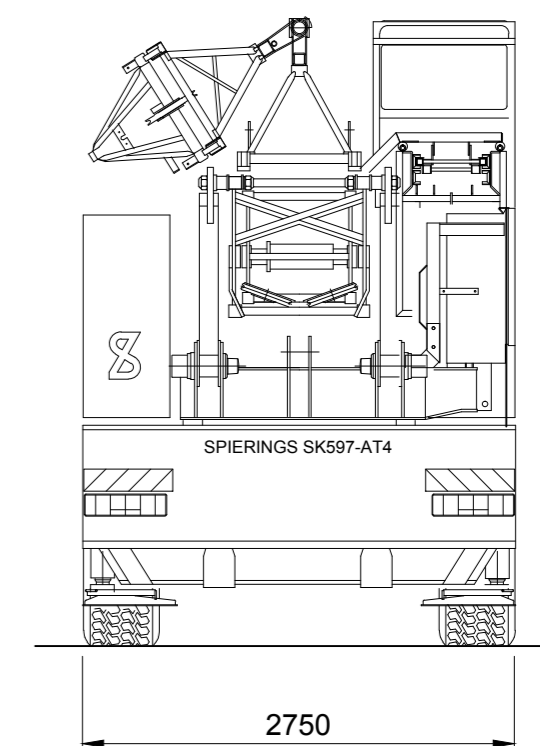
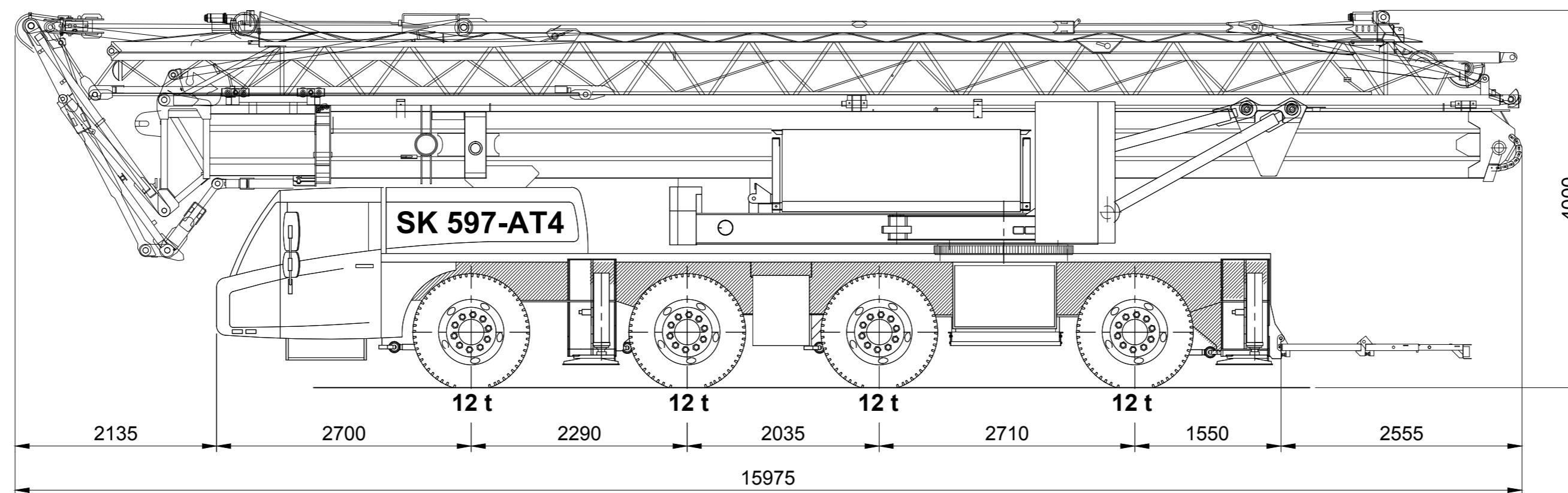
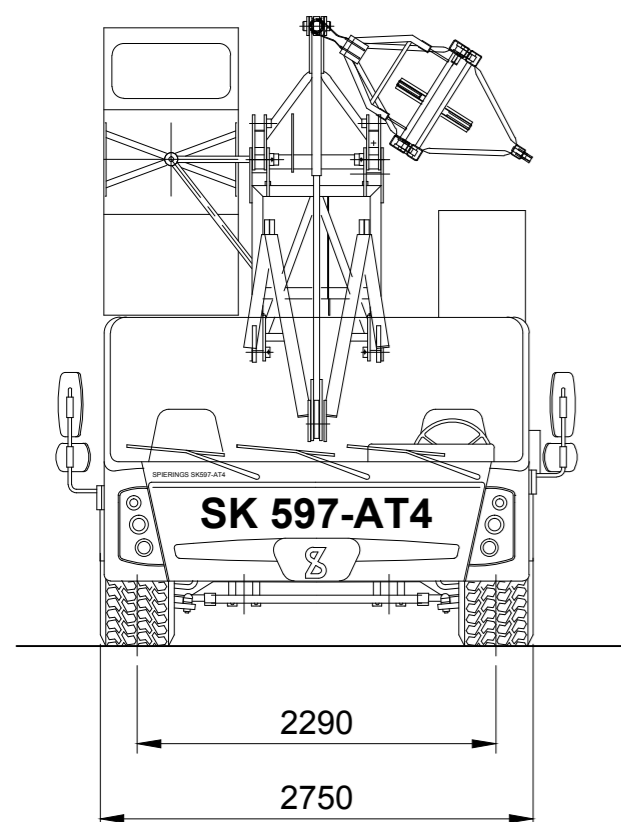
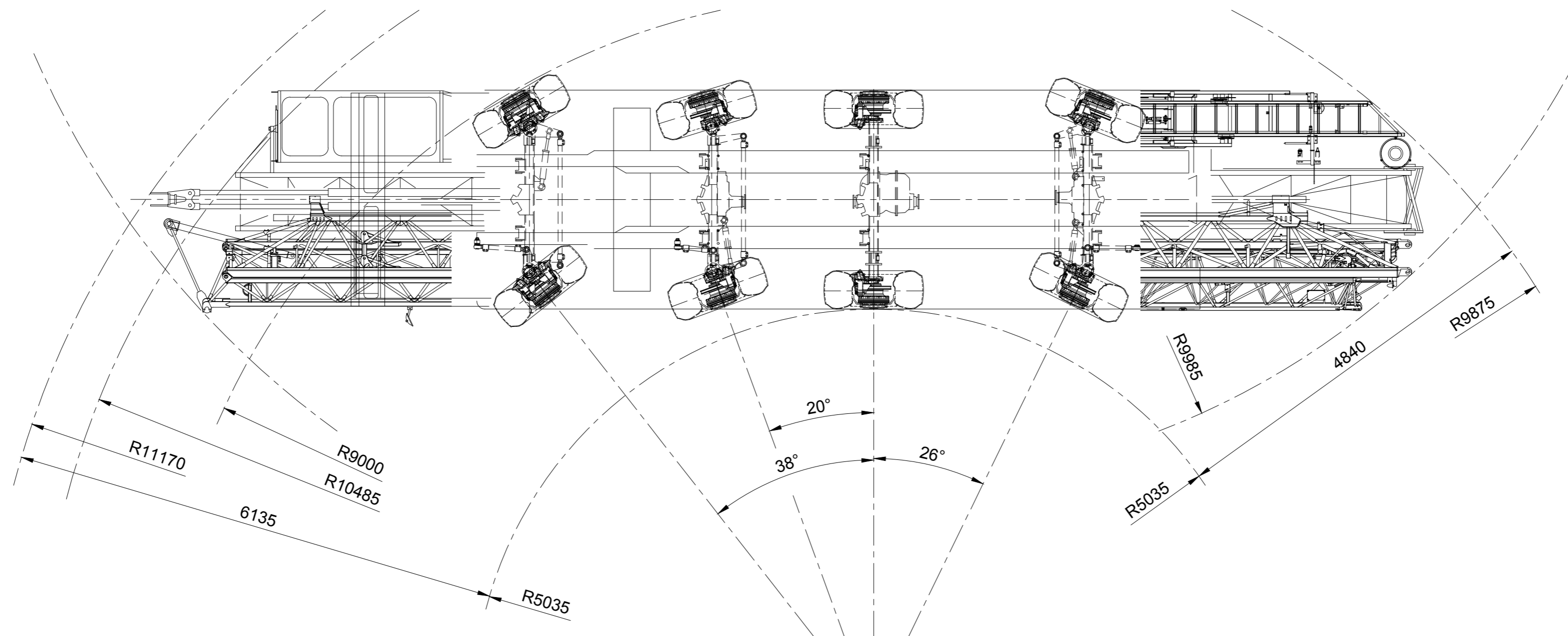
Operation allowed up to wind force 7 Bf (14 m/sec).
The crane should be folded in at wind force 9 Bf (21 m/sec)
or when not in use for a longer period
Counterweight crane: 8855 kg.
Max. outrigger force: 360 kN.

Lifting chart outrigger support base 6,925 m x 7,0 m



Lifting chart outrigger support base 6,925 m x 5,85 m





SPIERINGS HYDRAULIC FOLDING CRANE

SK597 - AT4

Overall weight: 48000 kg

Specifications subject to modifications

SPIERINGS
MOBILE CRANES

Merwedestraat 15
5347 KZ Oss NL
Tel. +31 (0)412-626964
Fax +31 (0)412-645299
www.spieringscranes.com
84-00597102

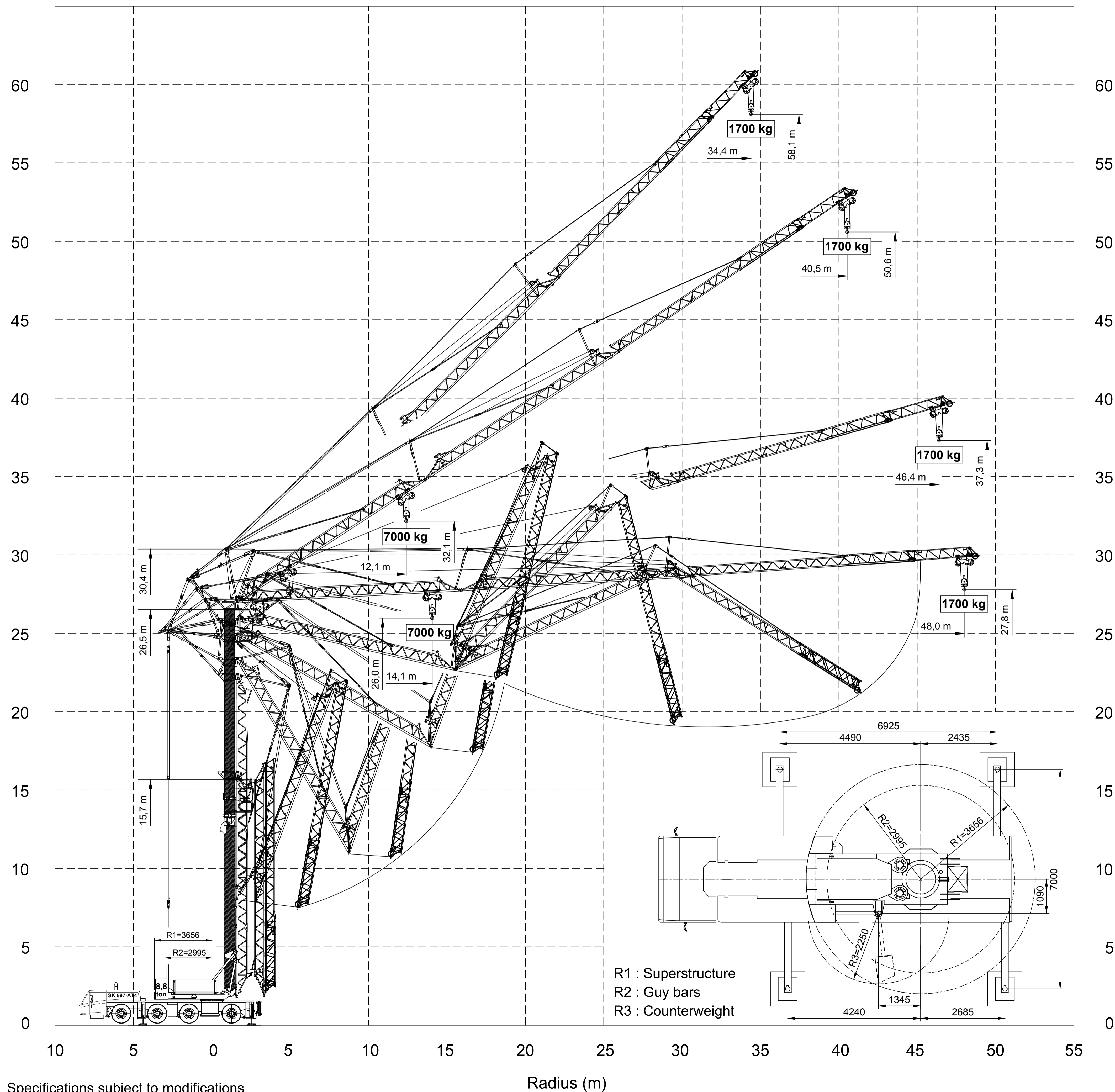
SPIERINGS

HYDRAULIC FOLDING CRANE

SK 597 - AT4

Erection procedure of the crane

- Max. outrigger force : 360 kN
- Outrigger support pads : 750x600 mm
- Ground pressure : 0,80 N/mm²
- Jib can be unfolded through 360°
- Operating temperature range
from -15°C till +40°C
- Luffing the jib 30° can be controlled from
the crane cabin or remote control
- Outrigger support plates : 1100x1100 mm
- Surface : 1,21 m²
- Ground pressure : 0,30 N/mm²

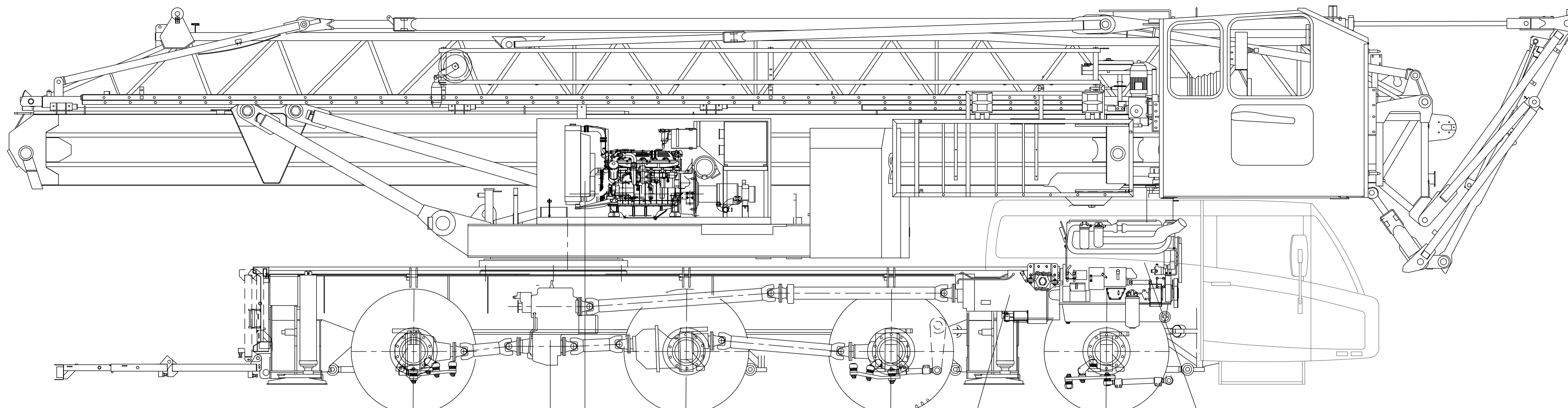


Hook height (m)



Merwedestraat 15
5347 KZ Oss NL
Tel. +31 (0)412-626964
Fax +31 (0)412-645299
www.spieringscranes.com

84-00597103



	Axle 4	Axle 3	Axle 2	Axle 1	
Transfer box:					
	STEYR VG2001/396				
Road gear	i=0,89				
Off road gear	i=1,54				
Crane diesel engine:					
		John Deere: 4045HFG82			
		Constant speed			
		Power: 103 kW (1500 rpm)			
		Torque: 656 Nm (1500 rpm)			
Gearbox:					
			ZF 12AS2531 SO		
			Automatic		
			Dry plate clutch		
			+ intarder		
Carrier diesel engine:					
					Euro VI
					DAF: MX11-291 (10,8 ltr)
					Power: 291 kW (1700 rpm)
					Torque: 1900 Nm (1000-1400 rpm)

Axle 1 : Steer axle

Axle 2 : Steer drive axle (end reduction i=7,29)

Axle 3 : Non steered drive axle (end reduction i=7,29)

Axle 4 : Steer drive axle (end reduction i=7,29)

Kessler-axles with disc brakes

Tyres

Suspension

Stroke suspension cylinder

Max. speed carrier

Min. speed carrier (engine at 1000 rpm)

Overall weight

: 445/75 R22,5

: Hydro-pneumatic on all axles

: 247 mm

: 83 km/h

: 1,6 km/h

: 48.000 kg

Drive train Spierings Folding Crane SK597-AT4

SPIERINGS
MOBILE CRANES

Merwedestraat 15

5347 KZ Oss NL

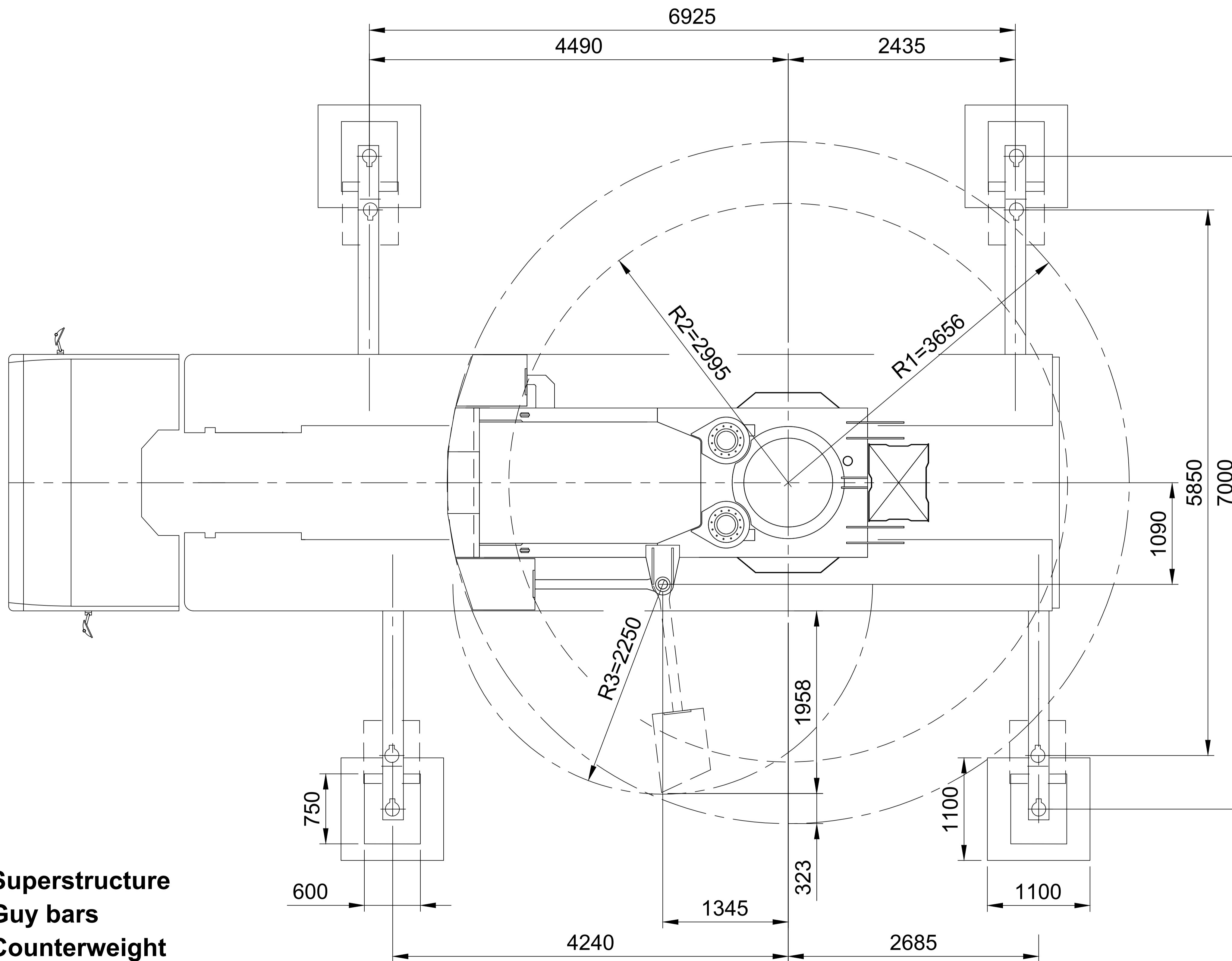
Tel. +31 (0)412-626964

Fax +31 (0)412-645299

www.spieringscranes.com

84-00597106

SPIERINGS
HYDRAULIC FOLDING CRANE
SK 597 - AT4



R1 : Superstructure
R2 : Guy bars
R3 : Counterweight

Outrigger support base	
Max. outrigger force	360 kN
Outrigger support pads	750x600 mm
Ground pressure	0,80 N/mm ²
Outrigger support plates	1100x1100 mm
Surface	1,21 m ²
Ground pressure	0,30 N/mm ²

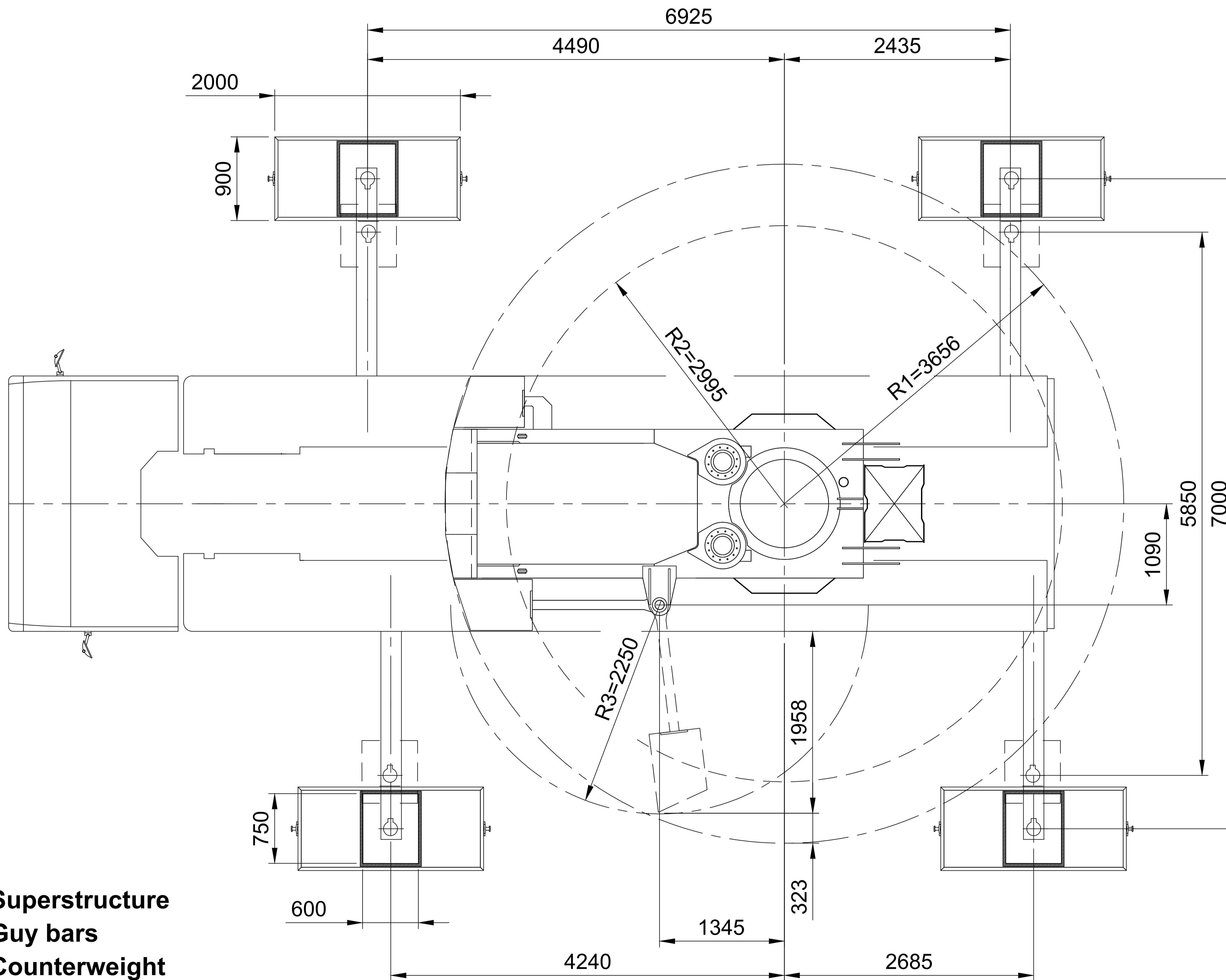
Specifications subject to change

SPIERINGS
MOBILE CRANES

Merwedestraat 15
5347 KZ Oss NL
Tel. +31 (0)412-626964
Fax +31 (0)412-645299
www.spieringscranes.com

84-00597107

SPIERINGS
HYDRAULIC FOLDING CRANE
SK 597 - AT4



Outrigger support base	
Max. outrigger force	360 kN
Outrigger support pads	750x600 mm
Ground pressure	0,80 N/mm ²
Outrigger support plates	2000x900 mm
Surface	1,8 m ²
Ground pressure	0,20 N/mm ²

R1 : Superstructure
R2 : Guy bars
R3 : Counterweight

SPIERINGS
MOBILE CRANES

Merwedestraat 15
5347 KZ Oss NL
Tel. +31 (0)412-626964
Fax +31 (0)412-645299
www.spieringscranes.com

84-00597107